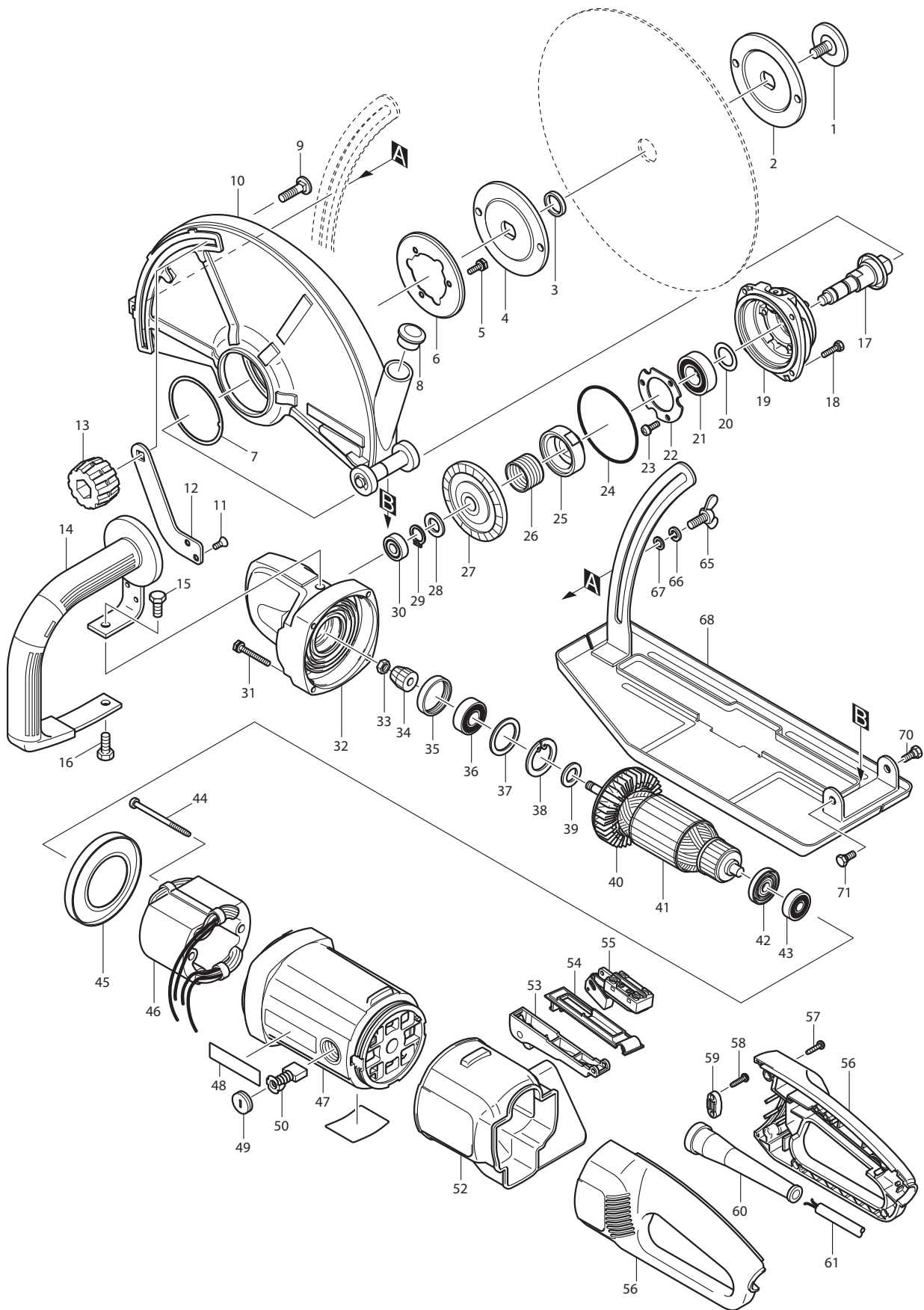




08 - 2010  
4112H  
12" ANGLE CUTTER



Item No	Type	Sub	Part No	Description	Qty	Unit
001			265265-3	HEX. BOLT M10X25	1	PC.
002			224184-2	INNER FLANGE 100	1	PC.
003			257054-0	RING 20	1	PC.
004			224184-2	INNER FLANGE 100	1	PC.
005	2		925216-5	+ HEX. BOLT M5X14	3	PC.
006			345269-2	PRESSURE PLATE	1	PC.
007			341853-1	PLATE B	1	PC.
008	2		286289-6	CAP 32 (H:15.00mm)	1	PC.
009			265845-5	CAP SQUARE NECK BOLT M8X30	1	PC.
010			125184-4	WHEEL COVER ASS'Y	1	PC.
		INC.	257091-4	RING 12	2	PC.
		INC.	961015-1	STOP RING E-9	2	PC.
		INC.	810131-5	CAUTION LABEL	1	PC.
011			912202-5	COUNTERSUNK HEAD SCREW M5X8	2	PC.
012			345291-9	LOCK PLATE	1	PC.
013			252648-6	THUMB NUT M8	1	PC.
014			273655-6	GRIP	1	PC.
015			921432-7	HEX. BOLT M8X20	1	PC.
016			921432-7	HEX. BOLT M8X20	1	PC.
017			153541-6	SPINDLE COMPLETE	1	PC.
018			265502-5	+ HEX. BOLT M5X20	4	PC.
019			153539-3	BEARING BOX COMPLETE	1	PC.
020			267041-1	FLAT WASHER 20	1	PC.
021	2		211326-7	BALL BEARING 6004DDW (Material Plastic)	1	PC.
022			285708-9	BEARING RETAINER 50	1	PC.
023			911221-8	PAN HEAD SCREW M5X16	3	PC.
024			213757-6	O RING 80	1	PC.
025			331644-8	LOCK SLEEVE	1	PC.
026			233922-1	LOCK SPRING 24	1	PC.
027			227438-6	SPIRAL BEVEL GEAR 48	1	PC.
028			267251-0	FLAT WASHER 15	1	PC.
029			961055-9	RETAINING RING S-15	1	PC.
030			211061-7	BALL BEARING 6000LLB	1	PC.
031			925261-0	+ HEX. BOLT M5X40	4	PC.
032			153542-4	GEAR HOUSING COMPLETE	1	PC.
033			252178-7	HEX. NUT M8-12	1	PC.
034			227440-9	SPIRAL BEVEL GEAR 9	1	PC.
035			262554-7	RUBBER RING 36	1	PC.
036			211228-7	BALL BEARING 6202DDW	1	PC.
037			267250-2	FLAT WASHER 30	1	PC.
038			962157-4	RETAINING RING R-40	1	PC.
039			267251-0	FLAT WASHER 15	1	PC.
040			240060-2	FAN 80	1	PC.
041			516886-7	ARMATURE ASS'Y 115V	1	PC.
		INC.		Item No. 40,42,43		
042			681630-2	INSULATION WASHER	1	PC.
043			211087-9	BALL BEARING 6200DDW	1	PC.
044			266059-9	TAPPING SCREW 5X75	2	PC.
045			416131-9	BAFFLE PLATE	1	PC.
046	2		626241-6	FIELD 115V	1	PC.
047			183564-0	MOTOR HOUSING	1	PC.
		INC.	643707-1	BRUSH HOLDER	2	PC.
		INC.		Item No. 48		
048			819064-1	MAKITA MARK	2	PC.

Item No	Type	Sub	Part No	Description	Qty	Unit
049			643710-2	BRUSH HOLDER CAP	2	PC.
050	2		194993-2	CARBON BRUSH CB-210 2PC/SET (W/ ORIGIN)	1	SET
051			850448-4	NAME PLATE F/ 4112H		
052			421831-8	DUST COVER	1	PC.
053			153546-6	* SWITCH LEVER COMPLETE (Removed)	1	PC.
054			417313-6	* SWITCH BASE	1	PC.
055	2		650102-8	* SWITCH TG08-1200-011	1	PC.
056	2		183615-9	* HANDLE SET	1	SET
		INC.	421833-4	SPONGE SHEET	1	PC.
057			266045-0	TAPPING SCREW 4X20	5	PC.
058			265995-6	TAPPING SCREW 4X18	2	PC.
059			687052-4	STRAIN RELIEF	1	PC.
060			682560-0	CORD GUARD 10	1	PC.
061			664463-0	CORD W/PLUG 2P-14-2.5M, SJ	1	PC.
065			924426-1	WING BOLT M8X20	1	PC.
066			942201-3	SPRING WASHER 8	1	PC.
067			941201-0	FLAT WASHER 8	1	PC.
068			165343-8	BASE	1	PC.
070			265506-7	SHOULDER HEX. BOLT M6	1	PC.
071			265506-7	SHOULDER HEX. BOLT M6	1	PC.
100			654037-5	INSULATED EYE TERMINAL FT1.25-M3	2	PC.
101			654077-3	INSULATED EYE TERMINAL FK2-M3D-5.5	2	PC.
102			654208-4	RECEPTACLE	2	PC.
103			654510-5	INSULATED CONNECTOR 5.5-SD	2	PC.
104			652039-5	BINDING HEAD M3.5X6.8	4	PC.
<b><u>ACCESSORIES</u></b>						
A01			782210-8	SOCKET WRENCH 17	1	PC.
A02			824697-9	PLASTIC CARRYING CASE	1	PC.
		INC.	819145-1	MAKITA LOGO LABEL	1	PC.
	2	INC.	163467-4	LATCH (METAL)	2	PC.

**SERVICE CHANGES**

**1. Changes on Gear Case Assembly**

(TI# A4066)

Item No.	Description	Type 1	Type 2
55	Switch 1269.3001 > Switch TG08-1200-011	651169-9	650102-8
46	Field 115V	626131-3	626241-6
53	Switch lever complete	153546-6	-----
54	Switch base	417313-6	-----
56	Handle set	183566-6	183615-9

Above parts are completely interchangeable as a set.

\*\*The current Field 115V ( 626131-3) can be substituted for the new Field 115V (626241-6) when you cut black lead wires short as drawn in Page Fig. 3

